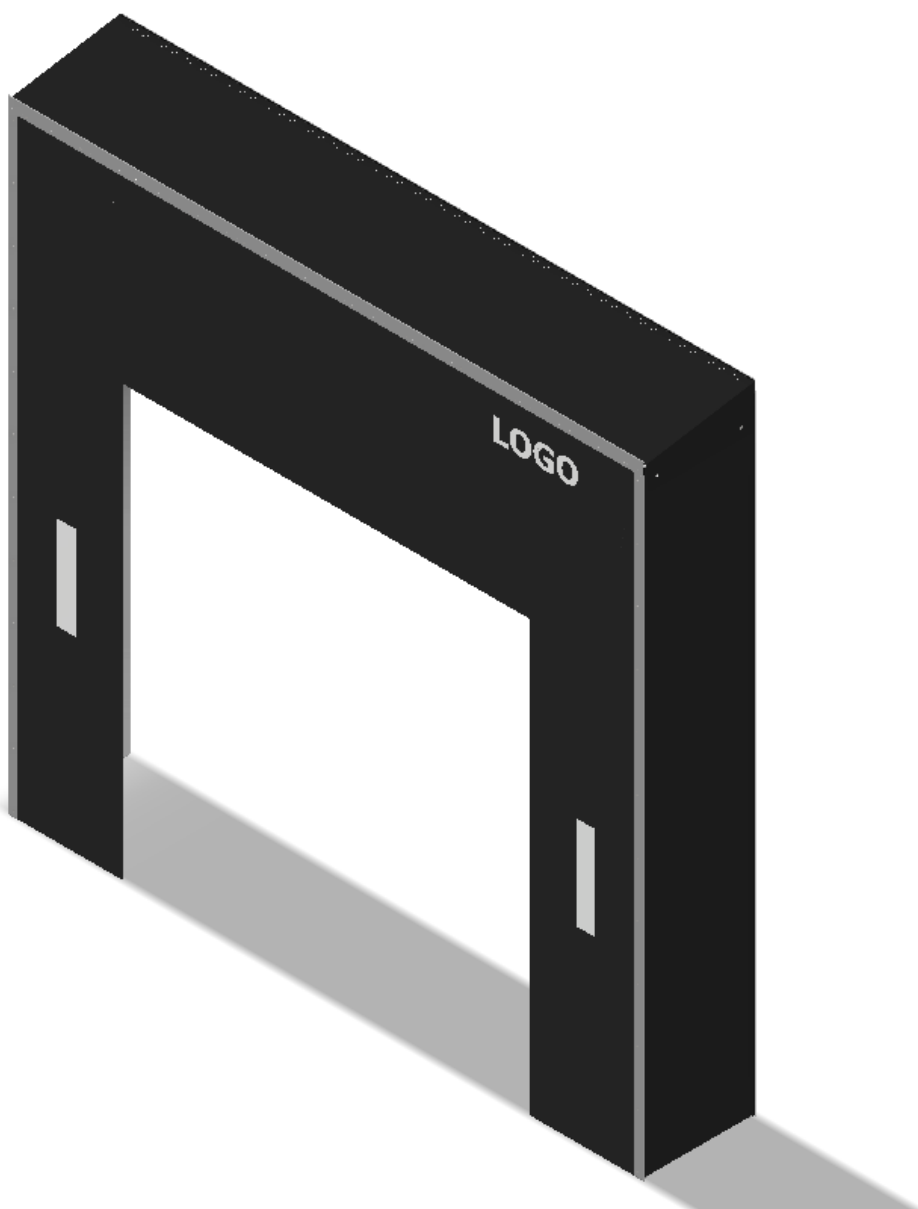


INSTALLATION



STEP 1. Download the bracket (no. PT006 L_000) (fig.1).

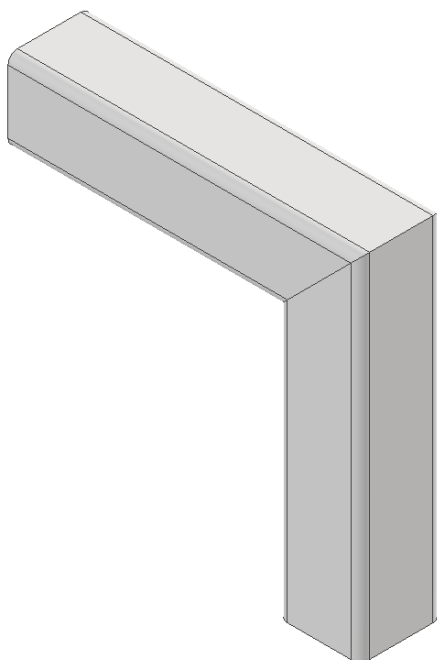


fig.1

STEP 2. Remove the end-screws from the top profile and the side profiles to fix the angle bracket. (Fig.2)

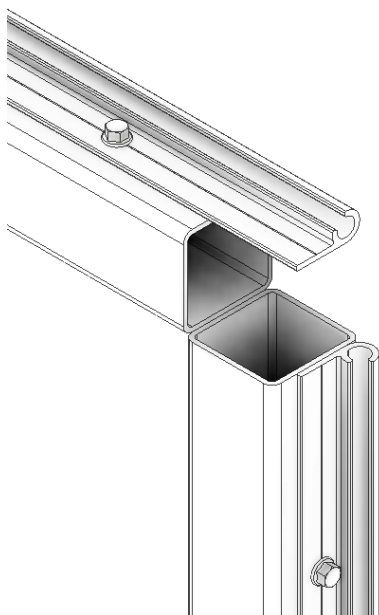


fig.2



STEP 3. Screw in the angle bracket using self-drilling screws 6.3x25 pic.3, fig.3

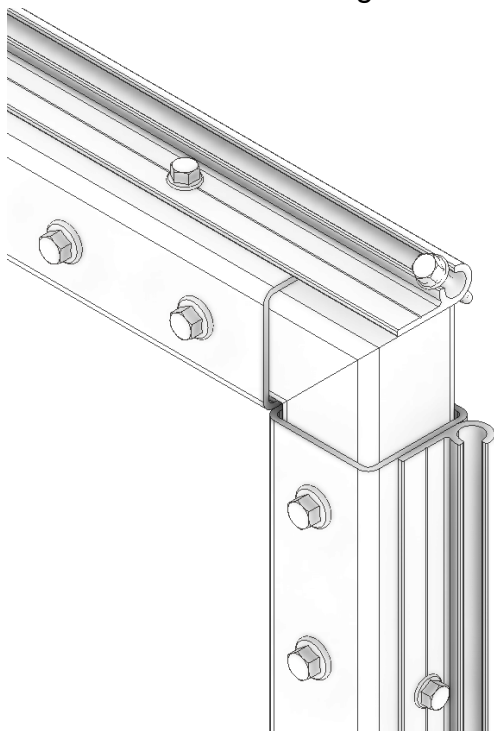


fig.3

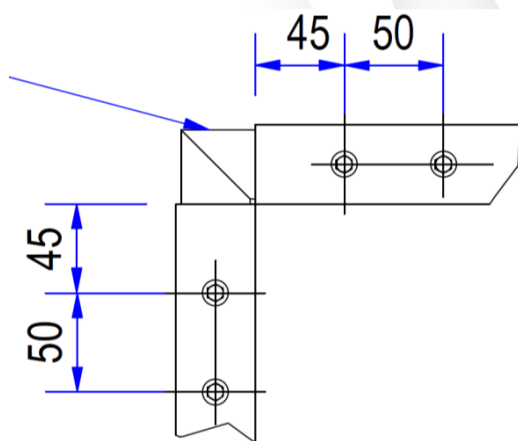


fig.1



STEP 4. Fix the seal arm mountings with 6.3x25 self-drilling screws to the side profiles as indicated (Fig.4).

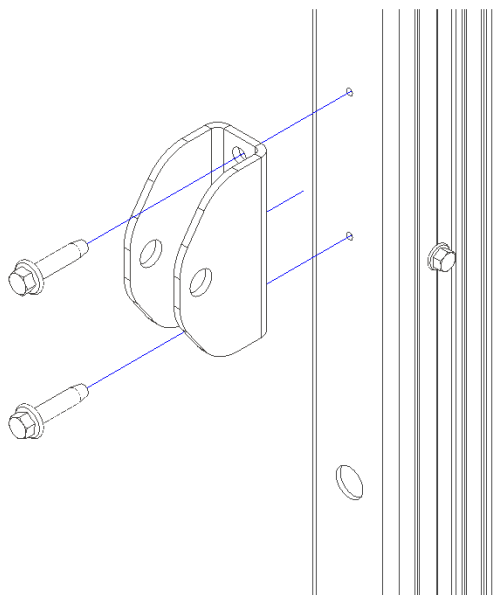


fig.4

STEP 5. Fix the Back Frame to the wall with $\phi 12$ - 9pcs wall plugs according to the guidelines given. (Fig.5)

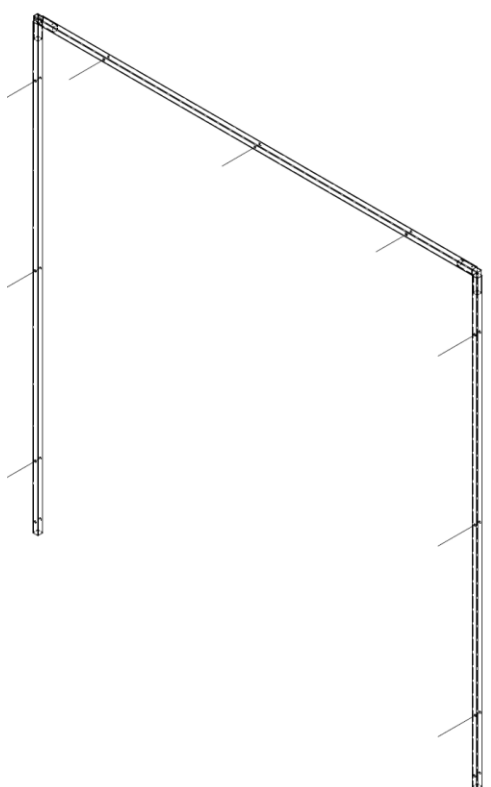
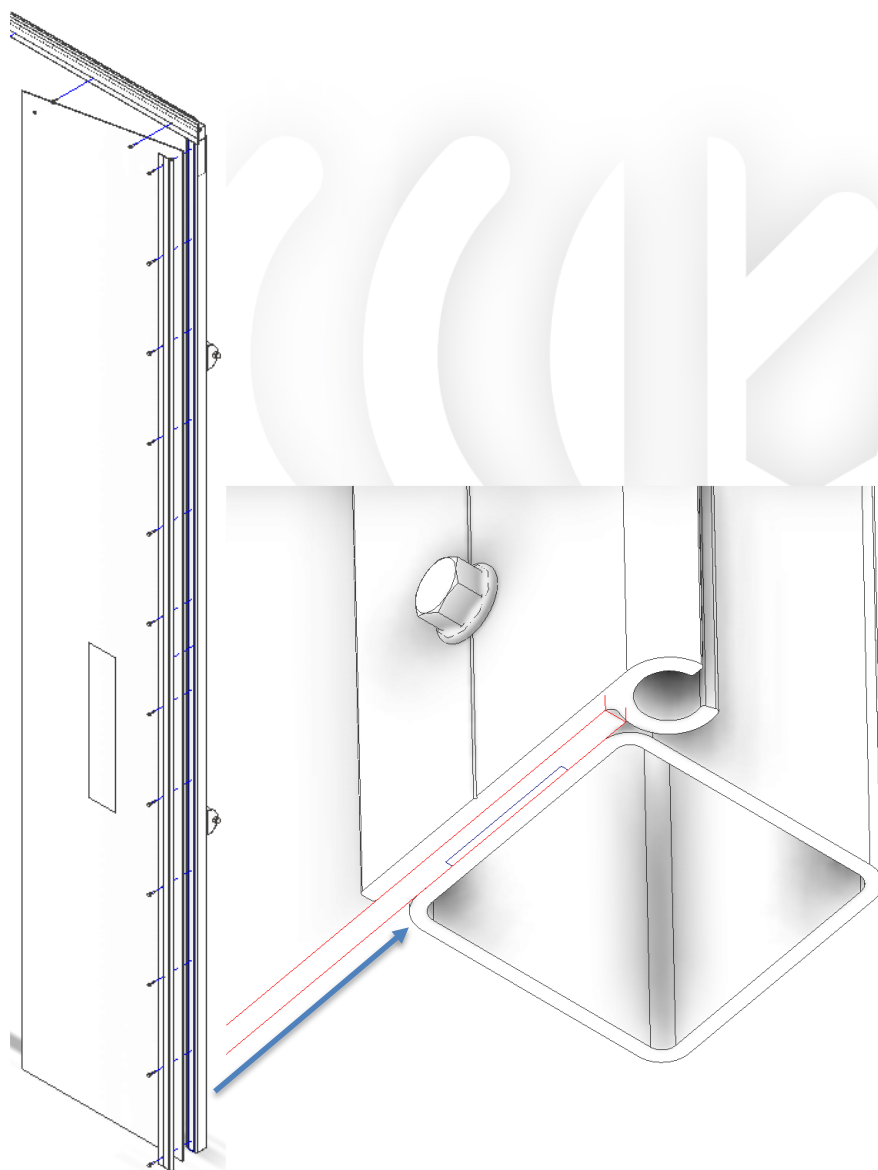


fig. 5



STEP 6. For the front frame, fix the curtain on the profile. Peel off the protection from the double sided tape, stick the apron basing from the bottom of the profile. (Fig.6)
Then screw in the aluminium strip using 6.3x25 self-drilling screws at a spacing of 290mm apart +/- 50mm. (Fig.6)

**fig.6**

STEP 7. Repeat for the other side of the Frame.

STEP 8. Fix the top part of the curtain by attaching it to the top profile (fig.7).

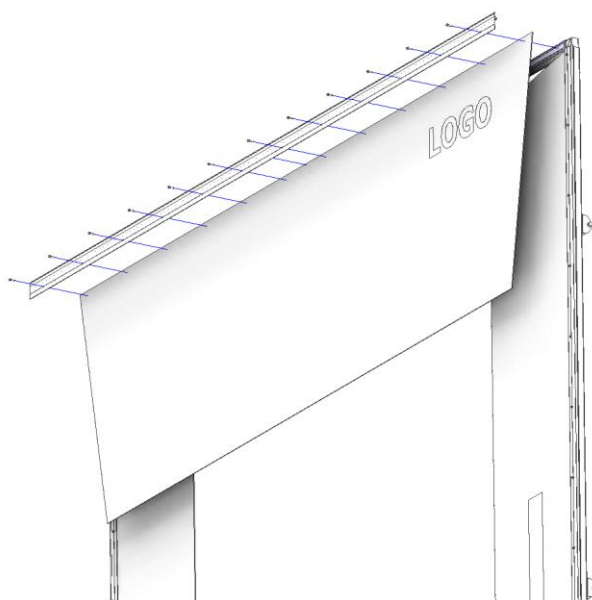
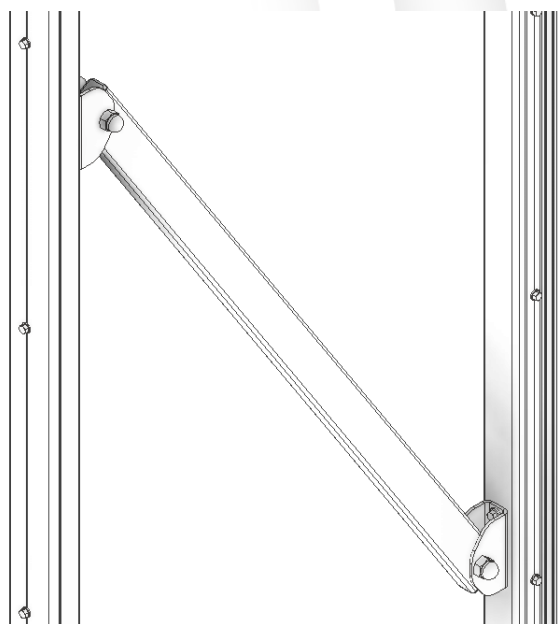


fig 7.

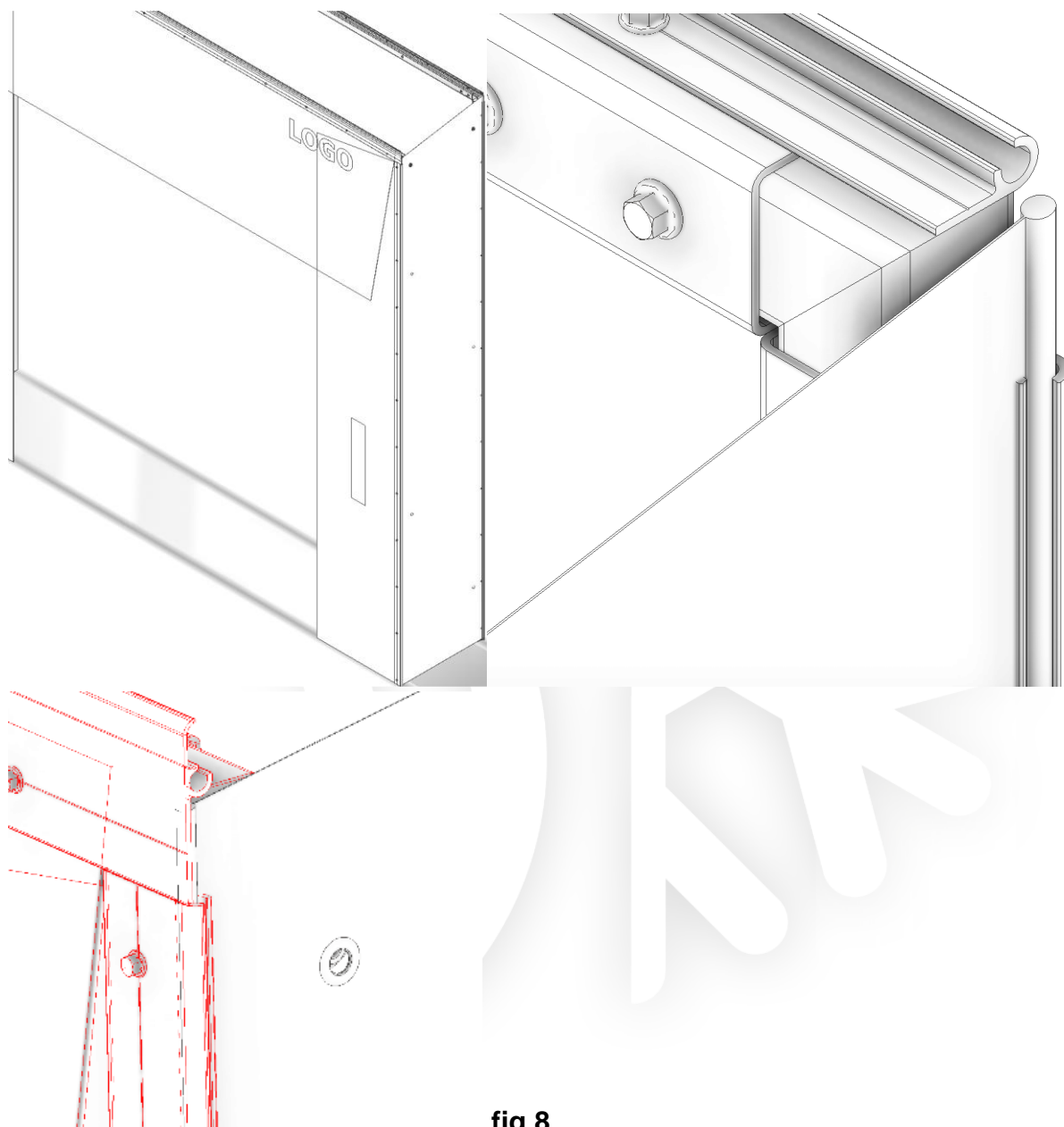
STEP 9. Fix the arms to the brackets, fixing with M10x40 bolt (nr.001-008-001A) + M10 cap nut pic.5. Cap nut fitted on the outside.



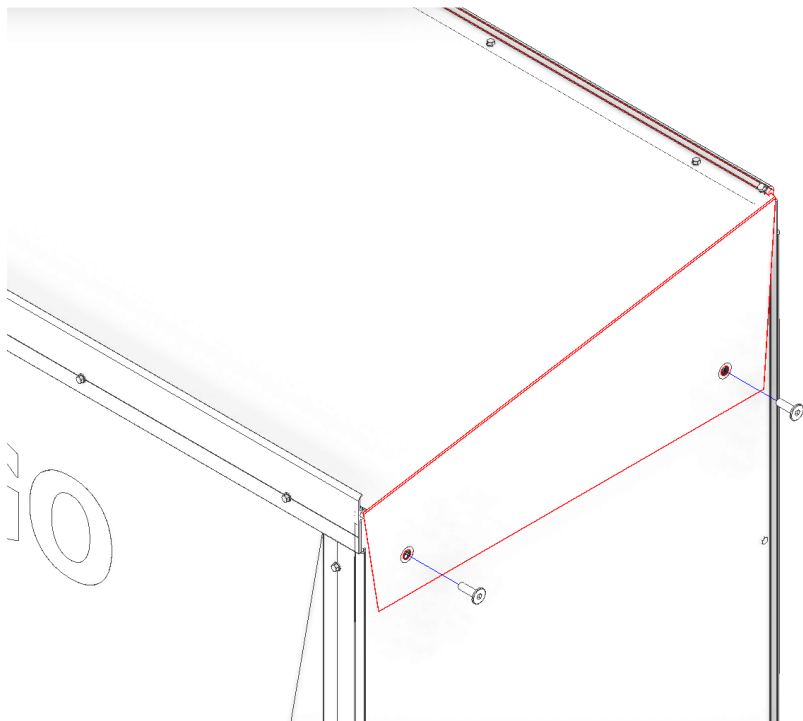
pic5.



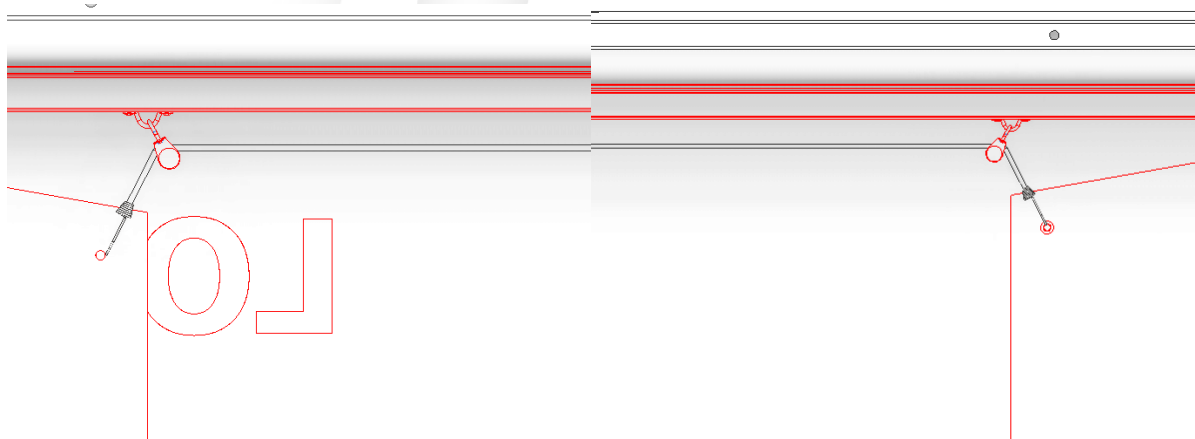
STEP 10. Slide the side skirts into the aluminium profile guides. The fastening holes are in the upper part of the curtain fig.8



STEP 11. Slide the top sheet into the aluminium profile guides. The eyelets should be aligned with the side and top curtains. Fig.9. Join the curtains together using M8x25 bolt and secure with M8 self-locking nut.

**fig9.**

STEP 12. Attach the drawstring, thread it through the guide pulleys and fix it in the crimped eyelets of the front apron fig.10.

**fig10.**